

# Olympia

## SM 9

This booklet will provide useful information to both old and new users, for in every model of the OLYMPIA progressive innovations are incorporated. The use of an OLYMPIA is the easiest thing imaginable, but it is even easier if you know your machine properly. It is in your own interest to read carefully the following instructions before operating your OLYMPIA.

OLYMPIA-WERKE AG  
WILHELMSHAVEN

**Operating Instructions**

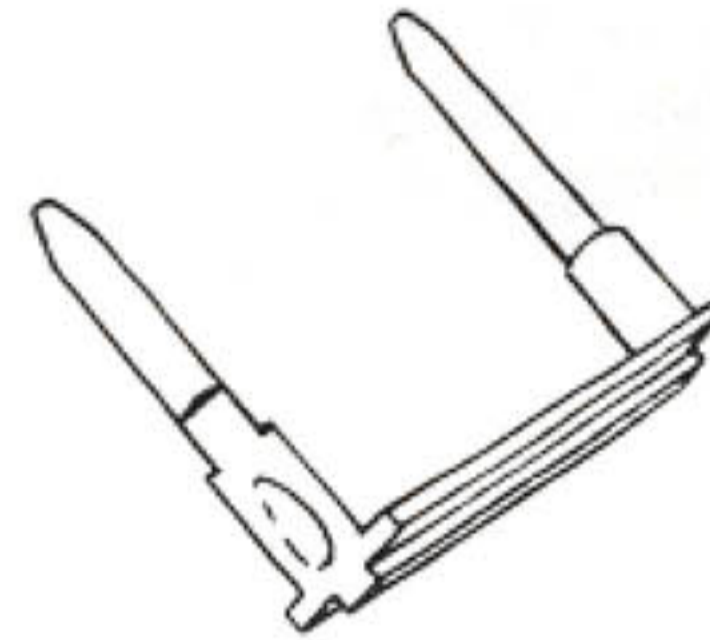
### Step by step . . .

#### First of all

Lift up the cover of the case and remove it.

#### Taking out and making ready

Press down the clips on the baseboard, lift the machine and draw it out from the rear baseboard fastening.



Turn the machine on its back. Remove rubber bands from feet and carriage release levers (15) and white plastic caps from platen knobs (3). Pull out coloured plastic rod left of carriage rail, move carriage to the right and take the right plastic rod out of the carriage rail.



Remove front cover (29) by lifting up the left and right-hand side of the moulding, and remove protective piece of cardboard from the typebars. To replace, push the hooks under the retaining pins and press down the front of the cover. After lifting up front cover please take care that white plastic pieces underneath left and right ribbon spools are removed to release shift.



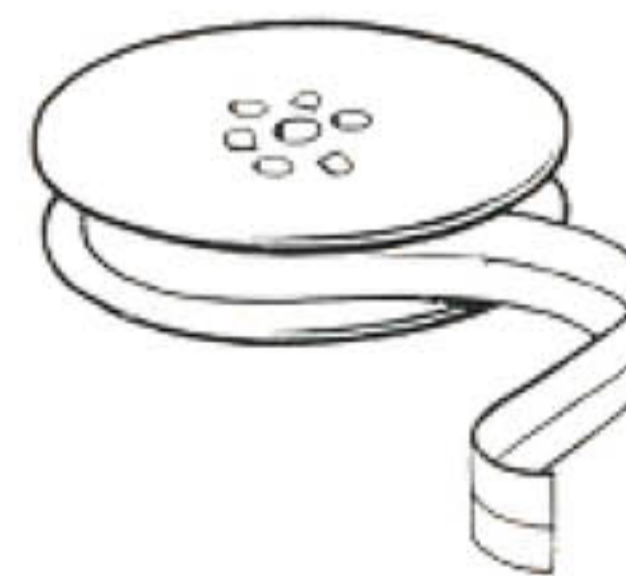
#### Reducing noise

The machine, which in itself makes little noise should be placed on a soft pad of felt or similar material. Only when in a hurry — perhaps while travelling — should the machine be used standing on the baseboard.

### Is all this known already?

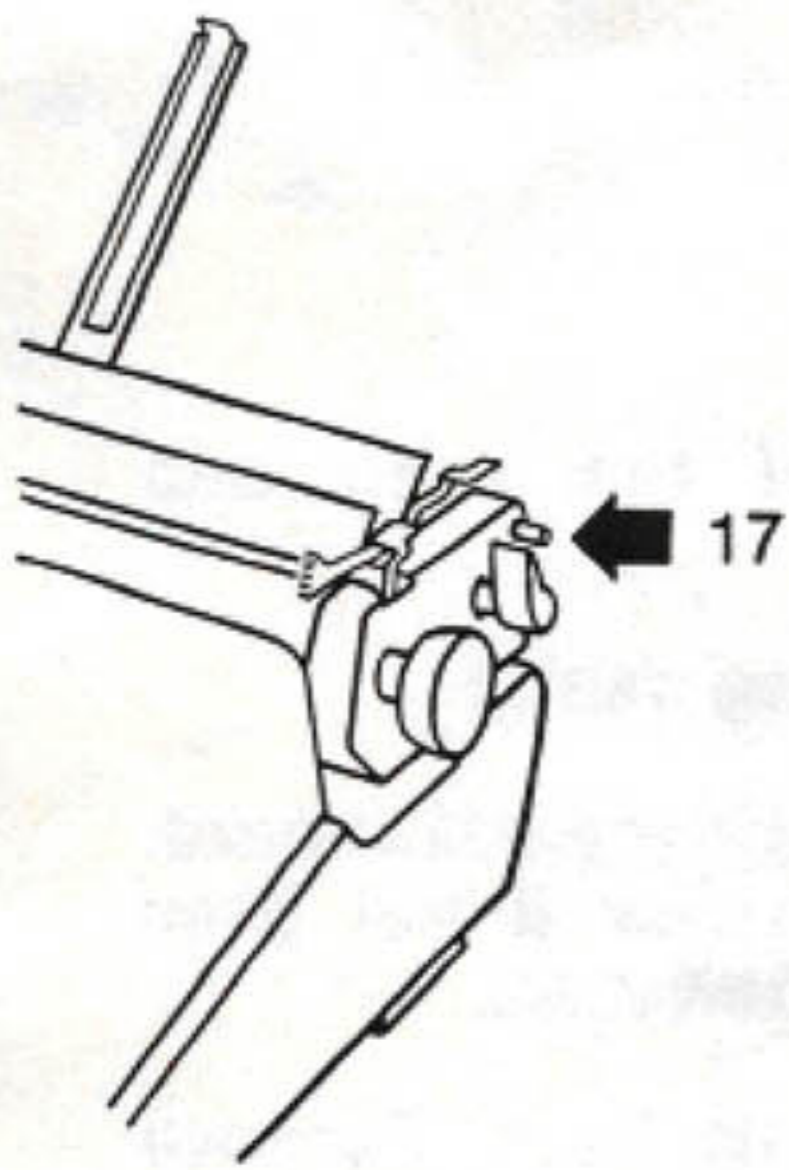
#### Ribbon Control

With a two-colour ribbon set the ribbon switch (26) in the upper position for black, or the lower for red. The centre position (white) is for use when cutting duplicating stencils. When the upper half of single colour ribbon is worn out invert for use of the lower part. Ribbon advance and return are automatic.



#### Inserting the paper

Place carriage in centre position. Raise the paper support by pressing the release button (17). Lay the paper on the lateral paper guide (6) insert the



paper between the paper table (14) and the platen and adjust it to the required height by turning the platen knobs (3,31). To adjust the paper or to insert several sheets pull the paper feed release lever (16) forward.

The paper support is returned after use by pressing firmly to the right.

### Margin control

The beginning and end of the lines may be set to the required positions by adjusting the two margin stops (8). The margin stops are squeezed while being moved.

### Line spacing

The line space indicator (4) may be set to give single, one-and-half, and double line spacing. Slight pressure on the line space lever (2) pushes the carriage along to the right and brings the paper into position for the next line.

### Shift

To type capital letters, punctuation marks etc. press down one of the two shift keys (22). Pressure on the shift lock (21) locks the shift in the raised position. To lower the shift again, depress the left or right shift key.

### Spacing

On depressing and releasing the space bar (24) the carriage moves one space to the left.

### Margin release

The ringing of the bell indicates that there are eight more spaces available before the end of the line; on reaching the end of the line the carriage will stop. Pressure on the margin release (19), however, releases the mechanism. Similarly pressure on the margin release enables typing to commence to the left of the limits set by the left hand margin stop.

### Back Space Key

Depressing the back space key (27) moves the carriage back one space i. e. the width of one letter.

### Carriage Release

Grip the platen knob (31) with your hand, and depress the carriage release lever (15) with the thumb. This allows the carriage to be moved freely in both directions. It is easier to use the right hand.

- 1 Lock for carriage and keyboard
- 2 Line space lever
- 3 Platen knob with line space plunger
- 4 Line space indicator
- 5 Paper holder
- 6 Paper guide
- 7 Paper scale roller
- 8 Margin stops
- 9 Line drawing notches
- 10 Paper conductor
- 11 Card holder
- 12 Perspex alignment guide
- 13 Paper support
- 14 Paper table
- 15 Carriage release
- 16 Paper feed release
- 17 Paper support release
- 18 Complete tabulator clearance
- 19 Margin release
- 20 Touch adjuster
- 21 Shift lock
- 22 Shift key
- 23 Individual tabulator clearance
- 24 Space bar
- 25 Tabulator set
- 26 Ribbon switch
- 27 Back spacer
- 28 Tabulator key
- 29 Front cover
- 30 Segment shift
- 31 Platen knob, right



19 20 21 22 23                      24                      25                      22                      26 27 28 29 30 31

### Platen Release

By setting the line space indicator (4) to the rear position, marked (.), the platen may be revolved freely. This is essential for work on ruled paper, or filling in forms as it enables an accurate return to the original line position, even when the paper is removed.

### Line Space Plunger

By pulling out and turning the left platen knob (3) the line position, e.g. when completing form-sheets, can be varied. Release of the platen knob again locks the platen.

### Touch adjuster

By moving the lever of the touch adjuster (20) the tension of the keys may be adjusted to suit the individual touch. The maximum pressure is obtained when the lever is pulled forward to the full extent.

### Drawing lines

Insert the point of a pencil in the notch in the alignment guide (9). By moving the carriage sideways, or by turning the platen knob, horizontal or vertical lines may be drawn.

### Erasing and Correcting

Turn the platen until the part of the paper on which the mistake has been made lies on the paper conductor (10) and move the carriage to the side so that no eraser dust falls into the machine. Use a typewriter rubber and eraser shield for the top copy, and a soft rubber for carbon copies. Do not type omitted letters in between the others, but use the "correcting space bar". Rub out the wrongly typed word, and move the carriage back to the last letter of the preceding word. Tap the space bar once then depress the space bar and hold it in the down position; type the first letter and release the space bar; repeat this action throughout the wrongly typed word.

The best typewriter  
(right)

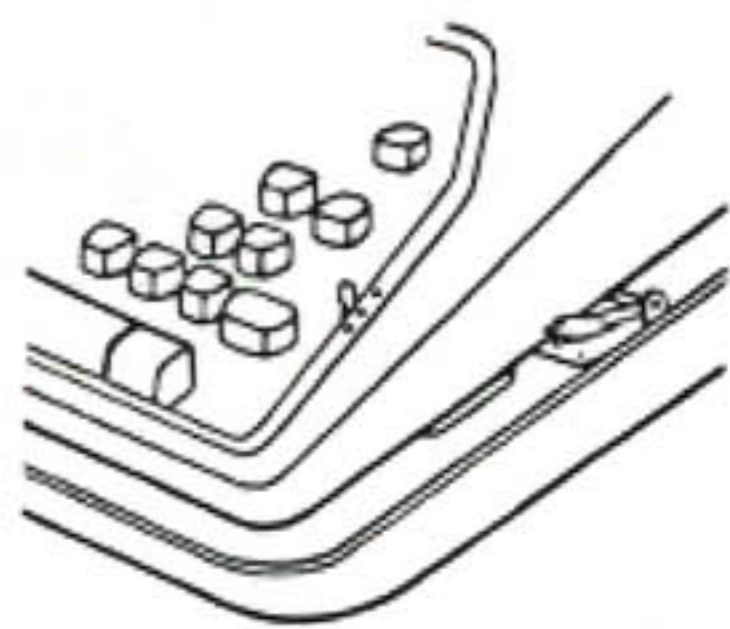
The bst typewriter  
(wrong)

The best typewriter  
(corrected)

### Protection against damage

When carrying the machine, or to prevent unauthorized or rough handling, lock the carriage and the keys by lifting up the locking lever (1) and sliding the carriage to its central position. To release the carriage and the keys push lever down.

The machine should be replaced in the case before carrying it any distance. Set the machine on the prongs at the rear of the baseboard, then press into the spring clips at the sides. Insert the case cover into the rear hinges of the baseboard, close and lock.



### Tabulation

The tabulator saves much time in the preparation of lists and statements, also for indenting paragraphs and inserting references in everyday correspondence.

Before using the tabulator, depress the clearance lever (18) to erase all previous settings. Move the carriage to the beginning of a column and depress the tabulator set key (25). Return the carriage to the starting position, and tabulate by holding down the tabulator key (28) until the carriage stops at the column required. To clear individual stops, tabulate to the column concerned and depress the individual clearance key (23).

All stops can be cleared in one operation by depressing the complete clearance lever (18).

## This, too, is necessary

### Changing the ribbon

Remove the front cover (29) of the machine, exposing the ribbon mechanism. Wind the worn ribbon on to one of the two spools (h). Pull out the spool catch (g) and removing the empty spool, free the end of the ribbon from the hook, and draw out of the ribbon guide (b). The spool carrying the old ribbon is now replaced by the new spool and ribbon. Put the free end of the ribbon on the projecting hook on the empty spool, and press the hook into the spindle.

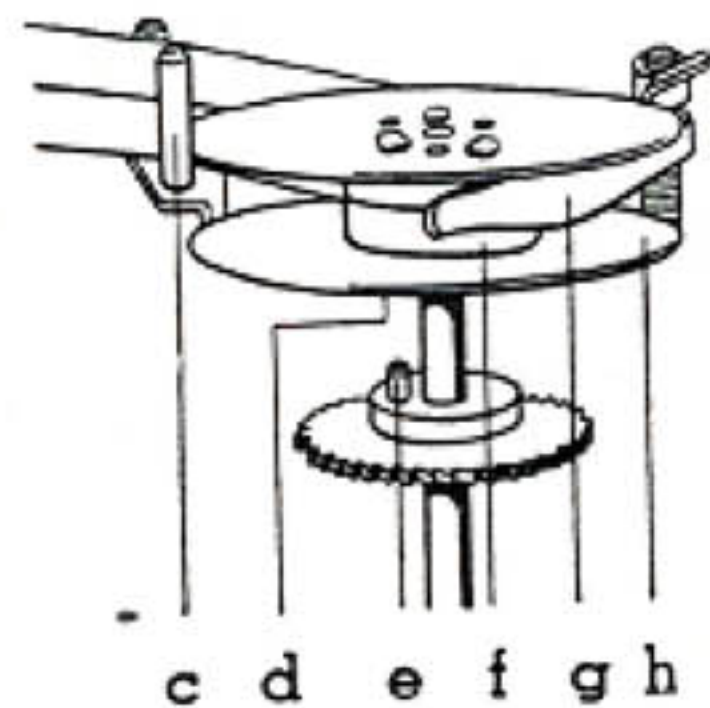
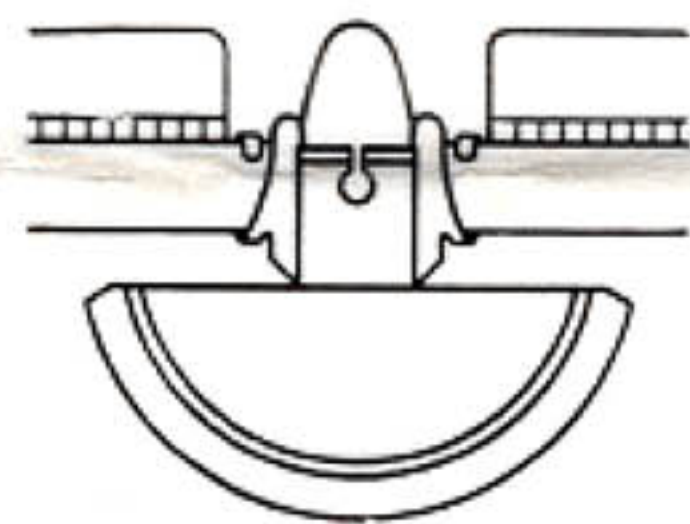
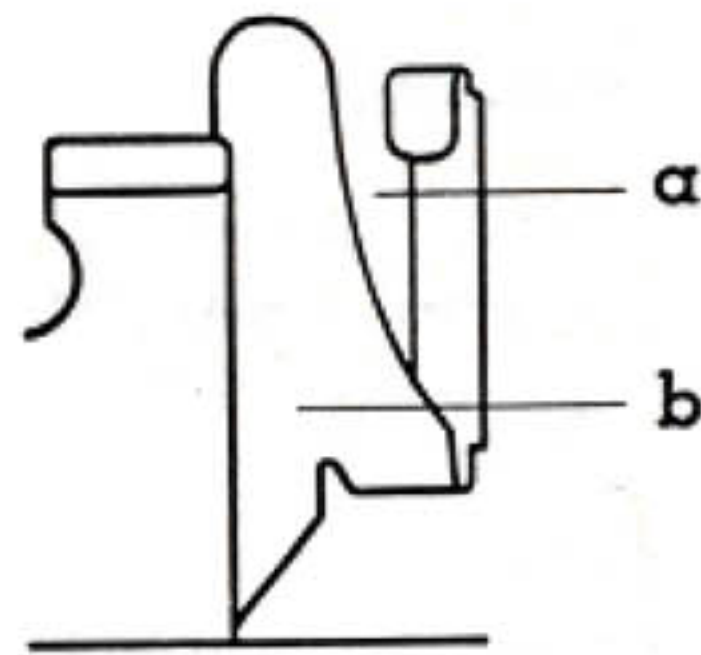
Now replace the empty spool back on the machine taking care that both spools are firmly held by the conveyor pin (e). Thread the ribbon through the ribbon reverse levers (c) on both sides. Now press down the shift lock, and take hold of the ribbon with both hands. Put the ribbon behind guide (b) and insert it into the left and right slits of the guide (a) so that its full width lies in the slits. When correctly fitted the position of the ribbon will correspond to that shown in the diagram.

- |                         |                 |
|-------------------------|-----------------|
| a) Ribbon holder        | e) Conveyor pin |
| b) Ribbon guide         | f) Spool shaft  |
| c) Ribbon reverse lever | g) Spool catch  |
| d) Guide hole           | h) Ribbon spool |

### Margin alignment

In order to preserve the good appearance of documents and circulars, it is sometimes required that the right hand margin should be as straight as the left. A rough draft of such work should first be typed so as to calculate the number of letters that require levelling on each line. The shortest line of the draft is taken as the standard and a vertical line is drawn at the end of this as shown in the example.

The letters on the other lines which are outside this limit must be inserted within it by means of the correcting space bar when the fair copy is typed.



Instead of making the shortest line the standard, another line of average length may be selected and the vertical line drawn from there. In this case any letters outside the line must be compressed within it, whilst lines which are shorter must be extended.

the advantage of which  
can be easily assessed  
as it dispenses with the  
(without margin alignment)

the advantage of which  
can be easily assessed  
as it dispenses with the  
(with margin alignment)

The second method described has the advantage that up to 8 letters per line may be compensated. Insertions for the number of letters which come outside the line, and extensions for the number of letters which fall short of it may thus be anticipated and spread over the whole line.

Insertions are made by writing the word which is to be compressed in the following manner: depress space bar, type the first letter and then release the space bar — depress space bar — type — release space bar etc.

To lengthen lines proceed as follows: after typing the last letter of a word depress space bar, release it and depress again, type the first letter of the next word and release the space bar — depress space bar — type a letter etc. After typing the last letter release space bar and tap it two more times. Then continue writing the next word.

### CAREFUL MAINTENANCE GUARANTEES DURABILITY

#### Cleaning

If the machine is in constant use it should be cleaned every morning. Remove front cover (29) and dust with a clean brush, cleaning the type with a special wire brush and, if necessary, a little petrol. A sheet of paper should be placed under the type levers while cleaning. The platen may be cleaned with methylated spirit but never with petrol.

#### Oiling

Moving parts, and those subject to friction require oiling occasionally. A thin acid-free office machine oil should be used taking care to remove all old oil before applying new. Never oil the segment, the line space wheel or the type guide.

#### Repairs

Damaged machines should be immediately handed over to an expert typewriter mechanic. Repairs and adjustment call for the specialised attention which he alone can give.